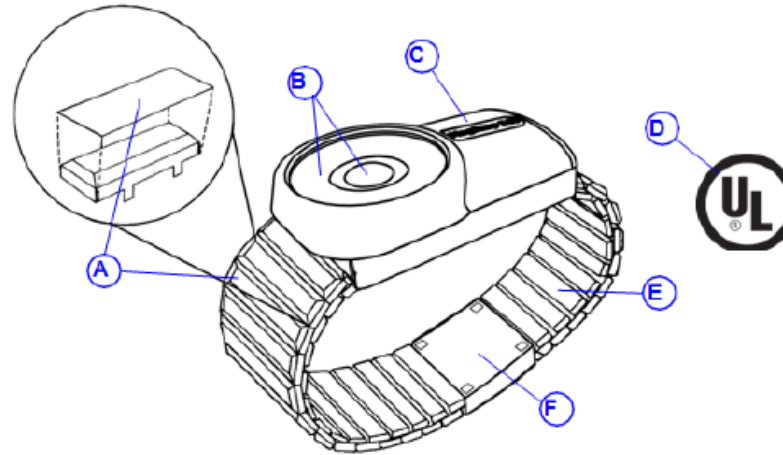


# Personal Earthing



Band Size	Circumference	
	Min.	Max.
Small	5.5" (140mm)	9" (229mm)
Medium	6" (152mm)	11" (279mm)
Large	7" (178mm)	12" (305mm)

Item	Band Size	Coil Cord
19886	Small	Not Included
19887	Medium	Not Included
19888	Large	Not Included
19889	Small	6' (19880)
19890	Medium	6' (19880)
19891	Large	6' (19880)
19892	Small	12' (19881)
19893	Medium	12' (19881)
19894	Large	12' (19881)

- A. .002" polyphenylene sulfone sheet laminated to each link. Provides >5,000 Volt RMS insulation per ASTM D149. Will not flake or peel.
- B. Unique dual contact design is to be paired with a Desco MagSnap™ 360 Coil Cord (not included) for a superior electrical connection. The magnetic connection made with the coil cord maintains a 1-5 pound perpendicular breakaway force to prevent accidental disconnects.
- C. Black ABS plastic cap. Molded with "MagSnap 360" trademark.
- D. Underwriters Laboratory Listing 90P1C.
- E. Inside links are constructed of 300 Series Stainless Steel. Width of links is 0.63".
- F. Black ABS plastic insulator separates band into halves.

Meets required limits of ANSI/ESD S20.20 and requirements of ANSI/ESD S1.1.

All tolerances are 10% unless otherwise specified. Specifications and procedures are subject to change without notice.



Made in the United States of America

U.S. Patent Pending

## MAGSNAP 360™ DUAL-WIRE METAL EXPANSION WRISTBAND

# DESCO

DESCO WEST: 3651 WALNUT AVE, CHINO, CA 91710 WEBSITE: Desco.com  
 PHONE: (909) 627-8178  
 DESCO EAST: ONE COLGATEWAY, CANTON, MA 02021-1407  
 PHONE: (781) 821-8370

DRAWING NUMBER	DATE
19886	May 2014

© 2014 DESCO INDUSTRIES INC.  
 Employee Owned